

07 HINGES & ACCESSORIES

07

HINGES

| | |
|------------------|-----|
| Blum Hinges | 112 |
| Butt Onyx Hinges | 113 |
| Runners | 113 |
| Butt Hinges | 114 |

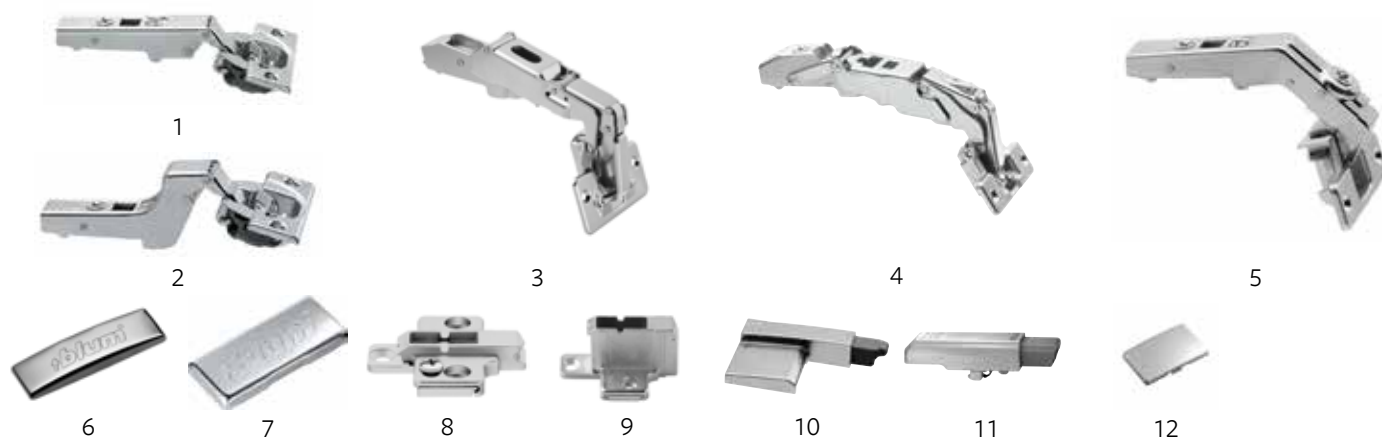
ACCESSORIES

| | |
|--------------------------------|-----|
| Breakfast Bar Legs | 115 |
| Splashbacks | 116 |
| Glass Shelving | 116 |
| Cabinet Mirrors | 117 |
| Aluminium Frames | 118 |
| Aluminium Frames & Plinth | 119 |
| Mantles and Mantle Shelves | 120 |
| Butlers Door Racks | 122 |
| Pull Out Basket | 122 |
| Spice Drawers | 123 |
| Plate Rack Sets | 123 |
| Drawer Boxes & Cutlery Inserts | 124 |
| Pilasters | 126 |
| End Mouldings | 128 |

Hinges

Blum Hinges

| STANDARD HINGES | | | | | | |
|-----------------|-------------|------------|----------|---|-------|--|
| No. | Code | Type | Quantity | Description | Price | |
| | HINGE110 | Hinge Pack | 1 set | 110 CLIP top hinge set (soft close) | POA | |
| 1 | 71B3550 | Component | 1 | 110 CLIP top BLUMOTION screw on hinge - overlay | POA | |
| 6 | 70.1503.BP | Component | 1 | BLUM stamped hinge arm cover for 107, 110 | POA | |
| 8 | 175H7100 | Component | 1 | Clip 0mm cruciform zinc mounting plate | POA | |
| | HINGE170 | Hinge Pack | 1 set | 170 CLIP top hinge set (not soft close) | POA | |
| 3 | 71T6550 | Component | 1 | 170 CLIP top screw on hinge - overlay | POA | |
| 7 | 80.6507.BP | Component | 1 | BLUM stamped hinge arm cover for 170 | POA | |
| 10 | 973A6000 | Component | 1 | BLUMOTION device for 170 | POA | |
| 8 | 175H7100 | Component | 1 | Clip 0mm cruciform zinc mounting plate | POA | |
| | HINGE155 | Hinge Pack | 1 set | 155 CLIP top hinge set (soft close) | POA | |
| 4 | 71T7500N | Component | 1 | 155 CLIP top zero protrusion screw on hinge - overlay | POA | |
| 12 | 70.7503 | Component | 1 | Plain hinge arm cover for 155 | POA | |
| 11 | 973A7000 | Component | 1 | BLUMOTION device for 155 | POA | |
| 8 | 175H7100 | Component | 1 | Clip 0mm cruciform zinc mounting plate | POA | |
| | HINGE60 | Hinge Pack | 1 set | 60 CLIP top hinge set (not soft close) | POA | |
| 5 | 79T8500 | Component | 1 | 60 CLIP top screw on hinge - Bi-fold | POA | |
| 8 | 175H7100 | Component | 1 | Clip 0mm cruciform zinc mounting plate | POA | |
| IN-FRAME HINGES | | | | | | |
| No. | Code | Type | Quantity | Description | Price | |
| | HINGE110IF | Hinge Pack | 1 set | 110 In-frame CLIP top hinge set (soft close) | POA | |
| 2 | 71B3750 | Component | 1 | 110 CLIP top BLUMOTION screw on hinge - inset | POA | |
| 6 | 70.1503.BP | Component | 1 | BLUM stamped hinge arm cover for 107, 110 | POA | |
| 9 | 175H9190.22 | Component | 1 | Clip 18mm cruciform zinc mounting plate | POA | |
| | HINGE170IF | Hinge Pack | 1 set | 170 In-frame CLIP top hinge set (soft close) | POA | |
| 3 | 71T6550 | Component | 1 | 170 CLIP top screw on hinge - overlay | POA | |
| 7 | 80.6507.BP | Component | 1 | BLUM printed hinge arm cover for 170 | POA | |
| 10 | 973A6000 | Component | 1 | BLUMOTION device for 170 | POA | |
| 9 | 175H9190.22 | Component | 1 | Clip 18mm cruciform zinc mounting plate | POA | |



Blum Hinges & Runners

STANDARD HINGES - ONYX

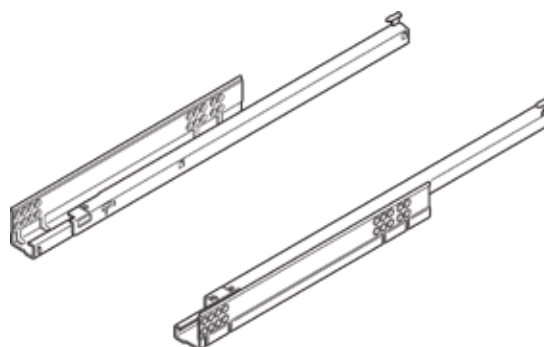
| No. | Code | Type | Quantity | Description | Price |
|-----|---------------|------------|----------|---|-------|
| | HINGE107ONYX | Hinge Pack | 1 set | 107 CLIP top hinge set (soft close) | POA |
| 1 | 75B1550.ONYX | Component | 1 | 107 CLIP top BLUMOTION screw on hinge - overlay | POA |
| 4 | 70.1503.ONYX | Component | 1 | BLUM stamped hinge arm cover for 107 | POA |
| 5 | 175H3100.ONYX | Component | 1 | Clip 0mm mounting plate | POA |
| | HINGE155ONYX | Hinge Pack | 1 set | 155 CLIP top hinge set (soft close) | POA |
| 3 | 71T7500.ONYX | Component | 1 | 155 CLIP top zero protrusion screw on hinge - overlay | POA |
| 6 | 973A7000.ONYX | Component | 1 | BLUMOTION device for 155 | POA |
| 5 | 175H3100.ONYX | Component | 1 | Clip 0mm mounting plate | POA |

IN-FRAME HINGES - ONYX

| No. | Code | Type | Quantity | Description | Price |
|-----|----------------|------------|----------|---|-------|
| | HINGE107IFONYX | Hinge Pack | 1 set | 107 In-frame CLIP top hinge set (soft close) | POA |
| 2 | 75B1750.ONYX | Component | 1 | 107 CLIP top BLUMOTION screw on hinge - overlay | POA |
| 4 | 70.1503.ONYX | Component | 1 | BLUM stamped hinge arm cover for 107 | POA |
| 7 | 175H9190.22 | Component | 1 | Clip 18mm cruciform zinc mounting plate | POA |



RUNNERS



STOCK CODES

| No. | Code | Description | Capacity | Run depth | Price |
|-----|---------|---------------------------------|----------|-----------|-------|
| | BLUMPK1 | Full extension Blum Tandem pack | 30kg | 450mm | POA |

ACCESSORIES

Butt Hinges

| BUTT HINGES | | | | |
|-------------|-----------------|---|-------------------|-------|
| Code | Finish | Description | Height | Price |
| DBH1 | Polished nickel | Decor butt hinge, without finial - pair | 50mm | POA |
| DBH2 | Matt pewter | Decor butt hinge, without finial - pair | 50mm | POA |
| DBH3 | Pewter | Decor butt hinge, without finial - pair | 50mm | POA |
| DBH4 | Polished nickel | Decor butt hinge, with finial - pair | 85mm | POA |
| DBH5 | Matt pewter | Decor butt hinge, with finial - pair | 85mm | POA |
| DBH6 | Pewter | Decor butt hinge, with finial - pair | 85mm | POA |
| BHC | Chrome | Brass Butt hinge - single | 64mm(H) x 34mm(W) | POA |



DBH1

DBH2

DBH3

DBH4

DBH5

DBH6

Note: The decor butt hinge must be installed onto the frame and not the door.
The hinge must also overlap the frame.

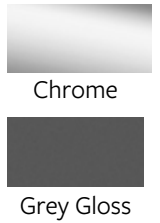
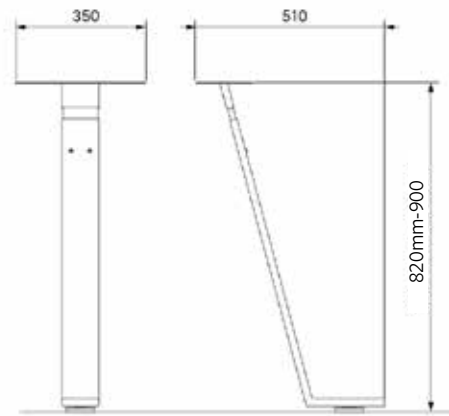


BHC

Note: Doors require notching before fitting the brass butt hinge.

Breakfast Bar Legs

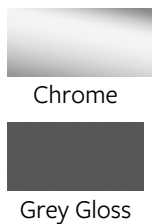
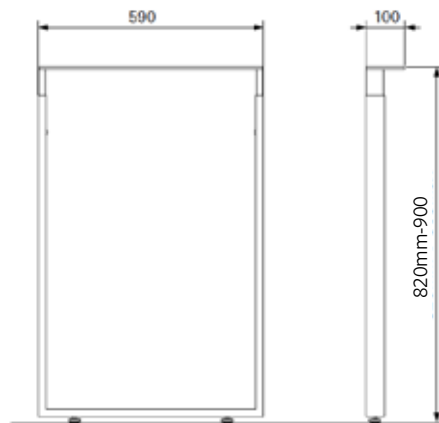
BREAKFAST BAR LEG



STOCK CODES

| Code | Finish | Description | Height | Width | Price |
|---------|------------|-------------------|---------|-------|-------|
| BBLEG1C | Chrome | Breakfast bar leg | 820-900 | 350 | POA |
| BBLEG1G | Grey gloss | Breakfast bar leg | 820-900 | 350 | POA |

BREAKFAST BAR LEG



STOCK CODES

| Code | Finish | Description | Height | Width | Price |
|---------|------------|-------------------|---------|-------|-------|
| BBLEG2C | Chrome | Breakfast bar leg | 820-900 | 590 | POA |
| BBLEG2G | Grey gloss | Breakfast bar leg | 820-900 | 590 | POA |

Accessories

Glass

SLASHBACKS



STOCK CODES

| Code | Finish | Description | Size | Price |
|--------|-------------|---|-------------|-------|
| SB60B | Black | Toughened glass splashback, complete with adhesive tape | 745H x 595W | POA |
| SB90B | Black | Toughened glass splashback, complete with adhesive tape | 745H x 895W | POA |
| SB60SW | Satin White | Toughened glass splashback, complete with adhesive tape | 745H x 595W | POA |
| SB90SW | Satin White | Toughened glass splashback, complete with adhesive tape | 745H x 895W | POA |
| SB60F | Fjord | Toughened glass splashback, complete with adhesive tape | 745H x 595W | POA |
| SB90F | Fjord | Toughened glass splashback, complete with adhesive tape | 745H x 895W | POA |

Note: The splashbacks are pre-prepared with double sided adhesive tape for easy installation. To secure in place, we recommend using a clear low modular silicone.

GLASS SHELVING



Shelf Support

STOCK CODES

| Code | Finish | Description | Size | Price |
|-------|-------------|------------------------------|------------------|-------|
| GS40 | Clear glass | Glass shelf, single piece | 6H x 356W x 247D | POA |
| GS50 | Clear glass | Glass shelf, single piece | 6H x 456W x 247D | POA |
| GS60 | Clear glass | Glass shelf, single piece | 6H x 556W x 247D | POA |
| GS80 | Clear glass | Glass shelf, single piece | 6H x 756W x 247D | POA |
| GS100 | Clear glass | Glass shelf, single piece | 6H x 956W x 247D | POA |
| SSN | Clear glass | Shelf support - single piece | | POA |

Mirrors

MIRRORED CABINET BACKS



STOCK CODES

| Code | Finish | Description | Size | Price |
|---------|--------|---|------------------|-------|
| MCB7204 | Mirror | Cabinet mirror, complete with adhesive tape | 680H x 364W x 4D | POA |
| MCB7205 | Mirror | Cabinet mirror, complete with adhesive tape | 680H x 464W x 4D | POA |
| MCB7206 | Mirror | Cabinet mirror, complete with adhesive tape | 680H x 564W x 4D | POA |
| MCB9005 | Mirror | Cabinet mirror, complete with adhesive tape | 860H x 464W x 4D | POA |

Note: Concealed hanging brackets are recommended for this product.

ACCESSORIES

Aluminium Frames

SILVER ALUMINIUM FRAMES - BLACK GLASS

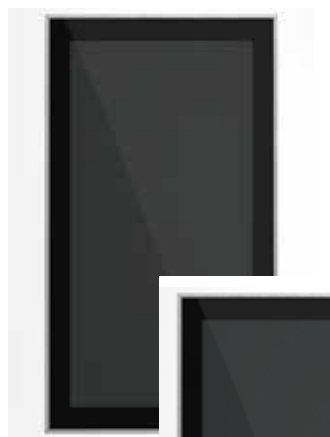


STOCK CODES

| Code | Frame Finish | Description | Glass | Size | Price |
|------------|--------------|-----------------|-------|-----------|-------|
| ALU35579@3 | Silver | Aluminium frame | Black | 355 x 796 | POA |
| ALU35589@3 | Silver | Aluminium frame | Black | 355 x 896 | POA |
| ALU35599@3 | Silver | Aluminium frame | Black | 355 x 996 | POA |
| ALU71539#3 | Silver | Aluminium frame | Black | 715 x 396 | POA |
| ALU71549#3 | Silver | Aluminium frame | Black | 715 x 496 | POA |
| ALU71559#3 | Silver | Aluminium frame | Black | 715 x 596 | POA |
| ALU89749#3 | Silver | Aluminium frame | Black | 897 x 496 | POA |

Note: Hinge hole positions are located 100mm from edge to centre

BLACK ALUMINIUM FRAMES - BLACK GLASS



STOCK CODES

| Code | Frame Finish | Description | Glass | Size | Price |
|------------|--------------|-----------------|-------|-----------|-------|
| ALU35579BL | Black matt | Aluminium frame | Black | 355 x 796 | POA |
| ALU35589BL | Black matt | Aluminium frame | Black | 355 x 896 | POA |
| ALU35599BL | Black matt | Aluminium frame | Black | 355 x 996 | POA |
| ALU71539BL | Black matt | Aluminium frame | Black | 715 x 396 | POA |
| ALU71549BL | Black matt | Aluminium frame | Black | 715 x 496 | POA |
| ALU71559BL | Black matt | Aluminium frame | Black | 715 x 596 | POA |
| ALU89749BL | Black matt | Aluminium frame | Black | 897 x 496 | POA |

Note: Hinge hole positions are located 100mm from edge to centre

Aluminium Plinth

SILVER ALUMINIUM FRAMES - FROSTED GLASS



STOCK CODES

| Code | Frame Finish | Description | Glass | Size | Price |
|------------|--------------|-----------------|---------|-----------|-------|
| ALU35579@2 | Silver | Aluminium frame | Frosted | 355 x 796 | POA |
| ALU35589@2 | Silver | Aluminium frame | Frosted | 355 x 896 | POA |
| ALU35599@2 | Silver | Aluminium frame | Frosted | 355 x 996 | POA |
| ALU71539#2 | Silver | Aluminium frame | Frosted | 715 x 396 | POA |
| ALU71549#2 | Silver | Aluminium frame | Frosted | 715 x 496 | POA |
| ALU71559#2 | Silver | Aluminium frame | Frosted | 715 x 596 | POA |
| ALU89749#2 | Silver | Aluminium frame | Frosted | 897 x 496 | POA |

Note: Hinge hole positions are located 100mm from edge to centre

ALUMINIUM PLINTH



STOCK CODES

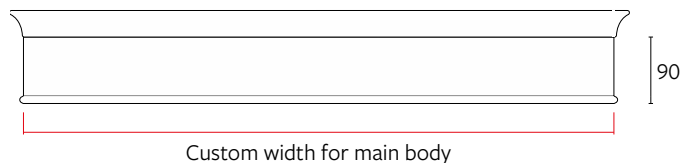
| Code | Finish | Description | Size | Price |
|--------|-------------------|-----------------------------------|--------------------|-------|
| 30VPLU | Aluminium/plastic | Straight plinth | 150H x 3000W x 15D | POA |
| LHCPLU | Aluminium/plastic | Convex curved plinth - left hand | 150H x 540W x 15D | POA |
| RHCPLU | Aluminium/plastic | Convex curved plinth - right hand | 150H x 540W x 15D | POA |
| CCPLU | Aluminium/plastic | Concave curved plinth | 150H x 407W x 15D | POA |
| 90DCC | Aluminium/plastic | 90 degree external cap connector | | POA |
| SCC | Plastic | Straight cap connector | | POA |
| VDPC | Aluminium/plastic | Universal plinth connector | | POA |
| PCLIP | Plastic | Plinth clip - groove mounted | | POA |

Accessories

Mantles

MANTLE SHELF WITH CORNICE - PAINTED

40 DAY LEAD TIME



The height illustrated above does not include the cornice profile. Use the table below to calculate overall height and overhang dimensions.

| Cornice Profile: | Allestree | Baystone | Eastdon | Farringdon Beaded | Farringdon Shaker | Hartside | Rivington |
|------------------|-----------|----------|---------|-------------------|-------------------|----------|-----------|
| Overhang: | 32mm | 39mm | 38mm | 42mm | 30mm | 30mm | 40mm |
| Height: | 60mm | 65mm | 60mm | 75mm | 35mm | 35mm | 70mm |

STOCK CODES

| (Prefix)Code | Finish | Description | Size | Nett price |
|--------------|---------------------|------------------------------------|-------------------------|------------|
| MANTLEA1015 | Ash painted | Mantle shelf complete with cornice | 90H x 200D x 1000-1500W | POA |
| MANTLEA1520 | Ash painted | Mantle shelf complete with cornice | 90H x 200D x 1501-2000W | POA |
| MANTLEM1015 | MDF smooth painted | Mantle shelf complete with cornice | 90H x 200D x 1000-1500W | POA |
| MANTLEM1520 | MDFv smooth painted | Mantle shelf complete with cornice | 90H x 200D x 1501-2000W | POA |
| MANTLEOL1015 | Oak lacquered | Mantle shelf complete with cornice | 90H x 200D x 1000-1500W | POA |
| MANTLEOL1520 | Oak lacquered | Mantle shelf complete with cornice | 90H x 200D x 1501-2000W | POA |

Note: The price listed is for a painted product. Corbels not included. Lead time includes painting.

MANTLE SHELF

40 DAY LEAD TIME



STOCK CODES

| Code | Finish | Description | Size | Nett Price |
|-------------|---------------|-------------|-------------------------|------------|
| SHELFOL1015 | Oak lacquered | Shelf | 26H x 210D x 1000-1500W | POA |
| SHELFOL1520 | Oak lacquered | Shelf | 26H x 210D x 1501-2000W | POA |
| SHELFO1015 | Oak painted | Shelf | 26H x 210D x 1000-1500W | POA |
| SHELFO1520 | Oak painted | Shelf | 26H x 210D x 1501-2000W | POA |

Note: The price listed is for a painted product. Shelf supports not included. Lead time includes painting.

Mantles

BOXED MANTLE WITH CORNICE - PAINTED

40 DAY LEAD TIME



STOCK CODES

| Code | Finish | Description | Size | Nett Price |
|---------------|--------------------|---------------------------|---------------------|------------|
| BMANTLEA650 | Ash painted | Boxed mantle with cornice | 900H x 650W x 450D | POA |
| BMANTLEA950 | Ash painted | Boxed mantle with cornice | 900H x 950W x 450D | POA |
| BMANTLEA1250 | Ash painted | Boxed mantle with cornice | 900H x 1250W x 450D | POA |
| BMANTLEM650 | MDF smooth painted | Boxed mantle with cornice | 900H x 650W x 450D | POA |
| BMANTLEM950 | MDF smooth painted | Boxed mantle with cornice | 900H x 950W x 450D | POA |
| BMANTLEM1250 | MDF smooth painted | Boxed mantle with cornice | 900H x 1250W x 450D | POA |
| BMANTLEOL650 | Oak lacquered | Boxed mantle with cornice | 900H x 650W x 450D | POA |
| BMANTLEOL950 | Oak lacquered | Boxed mantle with cornice | 900H x 950W x 450D | POA |
| BMANTLEOL1250 | Oak lacquered | Boxed mantle with cornice | 900H x 1250W x 450D | POA |

Note: The price listed is for a painted product. Lead time includes painting.

CORBELS

15 DAY LEAD TIME



SHELF SUPPORTS

15 DAY LEAD TIME



STOCK CODES

| Code | Finish | Description | Size | Price |
|--------|-----------------------|---------------------------|--------------------|-------|
| LCO | Oak painted/lacquered | Contemporary corbel, pair | 255H x 150W x 170D | POA |
| LCA | Ash painted | Contemporary corbel, pair | 255H x 150W x 170D | POA |
| LCT | Tulip smooth painted | Contemporary corbel, pair | 255H x 150W x 170D | POA |
| SSOAK | Oak lacquered | Shelf brackets | 190H x 50W x 140D | POA |
| SSOAKP | Oak painted | Shelf brackets | 190H x 50W x 140D | POA |

Note: These items are stocked unfinished and painted to order. Lead time includes painting.

Accessories

Internals

BUTLERS DOOR RACK



Oak butlers door rack with oak rails



Oak butlers door rack with brass rails

STOCK CODES

| Code | Finish | Description | Size | Price |
|------------|---------------------|---------------------------------|---------------------|-------|
| DRACK1050B | Oak c/w brass rails | Butlers door rack, brass rails | 1050H x 370W x 106D | POA |
| DRACK1050 | Oak c/w oak rails | Butlers door rack, timber rails | 1050H x 354W x 106D | POA |

PULL OUT BASKET



STOCK CODES

| Code | Finish | Description | Size | Price |
|------------|-----------------------------------|--|-------------|-------|
| BASK500OAK | Lacquered oak, c/w aluminium base | Pair of vegetable baskets, includes timber runners | 500 cabinet | POA |

Internals

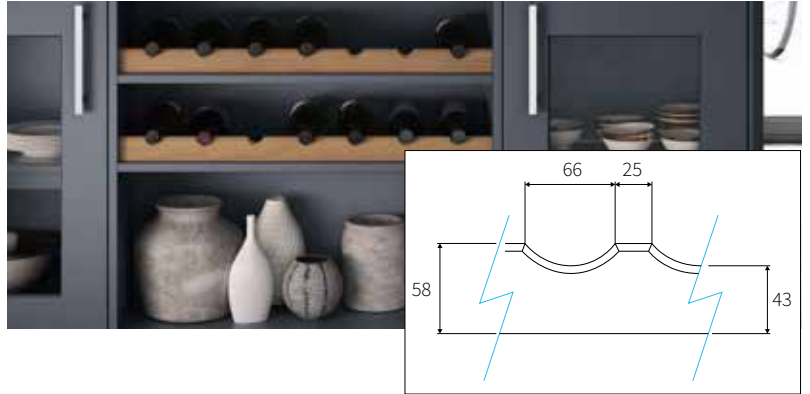
SPICE DRAWERS

25 DAY LEAD TIME



BOTTLE RAILS

15 DAY LEAD TIME



STOCK CODES

| Code | Finish | Description | Size | Price |
|-------------|---------------|-------------------------------|-------------------|-------|
| SPICE500 | Lacquered oak | Spice drawers - made to order | 500 cabinet | POA |
| SPICE600 | Lacquered oak | Spice drawers - made to order | 600 cabinet | POA |
| JJBRS1200 | Ash painted | Bottle Rail | 58H x 1200W x 20D | POA |
| 099BRS1200S | Oak lacquered | Bottle Rail | 58H x 1200W x 20D | POA |

PLATE RACKS

15 DAY LEAD TIME



Positioning option 1



Positioning option 2

STOCK CODES

| Code | Finish | Description | Size | Price |
|---------|---------------|-------------------------------|--------------|-------|
| PRS120L | Lacquered oak | Cut to size plate rack - pair | 333H x 1200W | POA |
| PRS120P | Painted oak | Cut to size plate rack - pair | 333H x 1200W | POA |

Accessories

Drawer Boxes

DOVETAIL DRAWER BOXES



STANDARD CABINETS

| Code | Application | Height | Cab Width | Depth | Oak | Walnut (W) - 12 day lead time |
|------------|-------------------|--------|-----------|-------|-----|-------------------------------|
| DD9030(W) | Standard cabinets | 90 | 300 | 440 | POA | POA |
| DD9040(W) | Standard cabinets | 90 | 400 | 440 | POA | POA |
| DD9045(W) | Standard cabinets | 90 | 450 | 440 | POA | POA |
| DD9050(W) | Standard cabinets | 90 | 500 | 440 | POA | POA |
| DD9060(W) | Standard cabinets | 90 | 600 | 440 | POA | POA |
| DD9080(W) | Standard cabinets | 90 | 800 | 440 | POA | POA |
| DD9090(W) | Standard cabinets | 90 | 900 | 440 | POA | POA |
| DD90100(W) | Standard cabinets | 90 | 1000 | 440 | POA | POA |
| DD18050 | Standard cabinets | 180 | 500 | 440 | POA | POA |
| DD18060 | Standard cabinets | 180 | 600 | 440 | POA | POA |
| DD18080 | Standard cabinets | 180 | 800 | 440 | POA | POA |
| DD18090 | Standard cabinets | 180 | 900 | 440 | POA | POA |
| DD180100 | Standard cabinets | 180 | 1000 | 440 | POA | POA |

IN-FRAME CABINETS

| Code | Application | Height | Cab Width | Depth | Oak | Walnut (W) - 12 day lead time |
|------------|-------------------|--------|-----------|-------|-----|-------------------------------|
| IFDD9030 | In-frame cabinets | 90 | 300 | 440 | POA | POA |
| IFDD9040 | In-frame cabinets | 90 | 400 | 440 | POA | POA |
| IFDD9045 | In-frame cabinets | 90 | 450 | 440 | POA | POA |
| IFDD9050 | In-frame cabinets | 90 | 500 | 440 | POA | POA |
| IFDD9060 | In-frame cabinets | 90 | 600 | 440 | POA | POA |
| IFDD9080 | In-frame cabinets | 90 | 800 | 440 | POA | POA |
| IFDD9090 | In-frame cabinets | 90 | 900 | 440 | POA | POA |
| IFDD90100 | In-frame cabinets | 90 | 1000 | 440 | POA | POA |
| IFDD18050 | In-frame cabinets | 180 | 500 | 440 | POA | POA |
| IFDD18060 | In-frame cabinets | 180 | 600 | 440 | POA | POA |
| IFDD18080 | In-frame cabinets | 180 | 800 | 440 | POA | POA |
| IFDD18090 | In-frame cabinets | 180 | 900 | 440 | POA | POA |
| IFDD180100 | In-frame cabinets | 180 | 1000 | 440 | POA | POA |

Drawer Boxes

PAN DRAWER PEG BOARD



| Code | Application | Width | Depth | Oak | Walnut (W) - 12 day lead time |
|--------|--|-------|-------|-----|-------------------------------|
| PPB80 | To suit 800 wide drawer, includes 8 pegs | 720 | 412 | POA | POA |
| PPB100 | To suit 1000 wide drawer, includes 10 pegs | 920 | 412 | POA | POA |
| PEG | Additional pegs | | | POA | POA |

CUTLERY INSERTS



STANDARD CABINETS

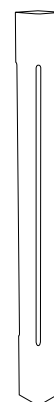
| Code | Description | Height | Width | Depth | Oak | Walnut (W) - 12 day lead time |
|-------------|-------------------------------|--------|-------|-------|-----|-------------------------------|
| CT220 | Cutlery insert | 65 | 220 | 412 | POA | POA |
| CT420 | Cutlery insert | 65 | 420 | 412 | POA | POA |
| CT284 | Cutlery insert | 65 | 284 | 412 | POA | POA |
| AGOFIBRE-BL | Black anti-slip drawer lining | 1.4 | 1150 | 412 | POA | - |

Accessories

Pilasters

SQUARE CHAMFERED PILASTER

15 DAY LEAD TIME



Pilaster foot not included

STOCK CODES

| Code | Finish | Description | Size | Price |
|------|-----------------------|--------------------|------------------|-------|
| SCPO | Oak painted/lacquered | Chamfered pilaster | 900H x 68W x 68D | POA |
| SCPH | Beech smooth painted | Chamfered pilaster | 900H x 68W x 68D | POA |

Note: These items are stocked unfinished and painted to order. Lead time includes painting.

SQUARE LEG PILASTER

15 DAY LEAD TIME



STOCK CODES

| Code | Finish | Description | Size | Price |
|------|-----------------------|-----------------|------------------|-------|
| SLCO | Oak painted/lacquered | Square pilaster | 900H x 68W x 68D | POA |
| SLPB | Beech smooth painted | Square pilaster | 900H x 68W x 68D | POA |

Note: These items are stocked unfinished and painted to order. Lead time includes painting.

Pilasters

PILASTER FOOT

15 DAY LEAD TIME



Pilaster not included

STOCK CODES

| Code | Finish | Description | Size | Price |
|------|-----------------------|---------------|-----------------|-------|
| PFO | Oak painted/lacquered | Pilaster foot | 15H x 68W x 68D | POA |
| PFB | Beech smooth painted | Pilaster foot | 15H x 68W x 68D | POA |

Note: These items are stocked unfinished and painted to order. Lead time includes painting.

Accessories

End Mouldings

RADIUS END MOULD

15 DAY LEAD TIME



STOCK CODES

| Code | Finish | Description | Size | Price |
|------|--------------------|------------------|-------------------|-------|
| REMA | Ash painted | Radius end mould | 3000H x 80W x 49D | POA |
| REMM | MDF smooth painted | Radius end mould | 3000H x 80W x 49D | POA |

Note: These items are stocked unfinished and painted to order.

RADIUS CORNER BLOCK - FARRINGDON



RADIUS CORNER BLOCK - BAYSTONE



STOCK CODES

| Code | Finish | Description | Size | Price |
|------|--------------------|--------------------------------------|---------------------|-------|
| CCBA | Ash painted | Suited for Baystone cornice | 65H x 86W x 86D | POA |
| CCBM | MDF smooth painted | Suited for Farringdon Beaded cornice | 75H x 92.5W x 92.5D | POA |

Note: These items are stocked unfinished and painted to order. A lead time of 15 days applies.

End Mouldings

ANGLED END MOULD

15 DAY LEAD TIME



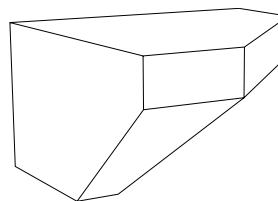
STOCK CODES

| Code | Finish | Description | Size | Price |
|---------|--------------------|------------------|-------------------|-------|
| 075AEMS | MDF smooth painted | Angled end mould | 2400H x 38W x 83D | POA |

Note: These items are stocked unfinished and painted to order.

ANGLED CORNER BLOCK

15 DAY LEAD TIME



STOCK CODES

| Code | Finish | Description | Size | Price |
|---------|--------------------|-----------------------------|-----------------|-------|
| 075CCBS | MDF smooth painted | Angled cornice corner block | 35H x 68W x 68D | POA |

Note: These items are stocked unfinished and painted to order.